

P in-Female Header 1.27 mm



RoHS

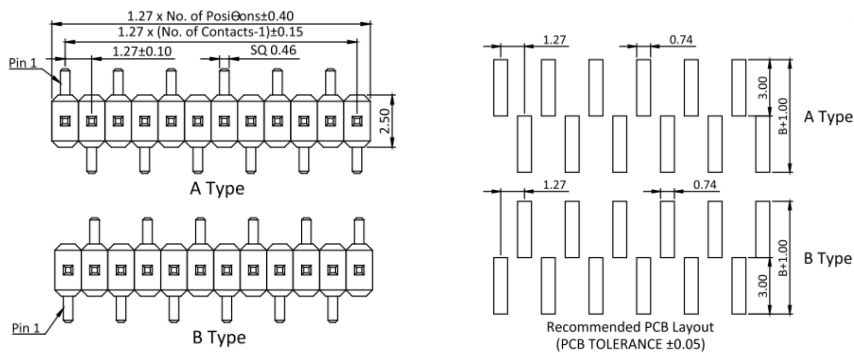
Pin Header 1.27mm SQ Pin=0.46mm 1 Row H=2.5mm Stack SMT Type

TOPTEK®
HARDWARE ELECTRONIC MANUFACTURER

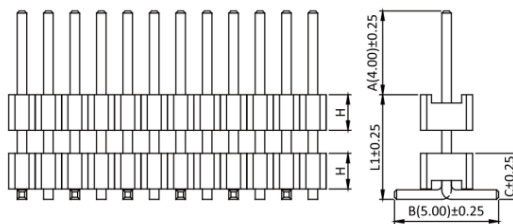


Specifications
 Current Rate:1 AMP
 Insulation Resistance:1000MΩ Min.
 Contact Resistance:20mΩ Max.
 Dielectric Voltage:500V AC for one minute
 Operation Temperature:-40°C to +105°C

Material
 Insulator:Hi-Temp. Thermoplastic, UL 94V-0
 Terminal:Copper Alloy
 Plating:Gold Plated

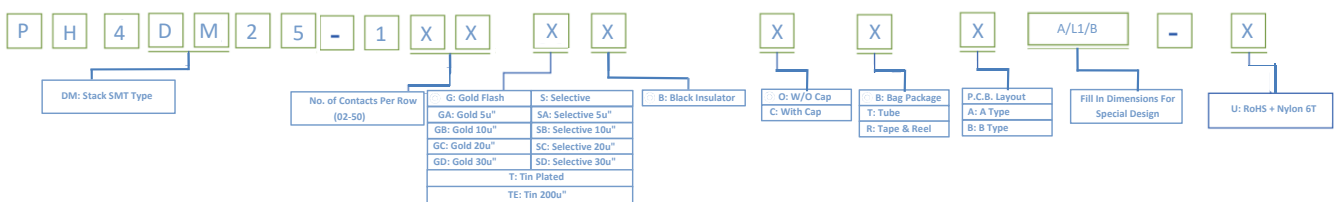


	Dim. C
H=1.7mm	2.20
H=2.5mm	3.00



Part No.:PH4DM25-1XX-U

ORDER INFORMATION



©:Standard Recommend